

A•smoke^{80TF} Central Oil Mist & Smoke Collector

The Absolent type A•smoke^T Oil smoke collector features one of the most effective systems in the world for cleaning oil mist and oil smoke. A•smoke^{80TF} is a central collector unit with integrated fan and is designed for air volumes up to 4700cfm. The unit is designed for handling the most demanding applications, such as heat treatment. At the same time, maintenance is minimal. Let us explain to you how this amazing combination works!

The highest possible collecting efficiency.

The filtered air becomes so clean that it usually can be returned to the premises. This means less loss of energy and a more balanced ventilation.

Designed for oil smoke.

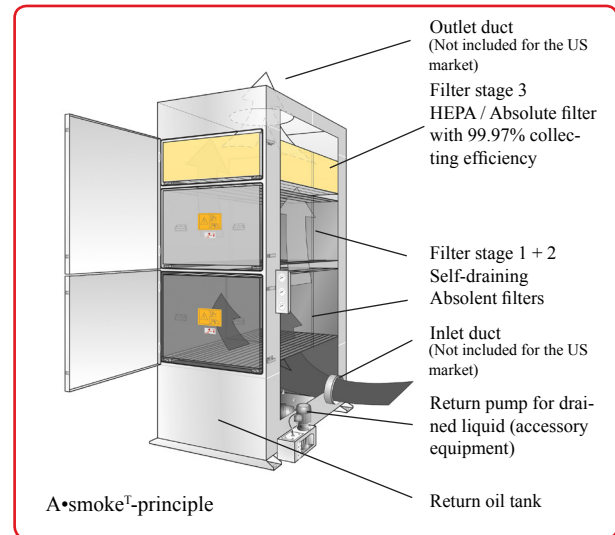
Oil smoke particles are very small, smaller than 1.0 micron. Other types of collectors, such as centrifugal collectors, have difficulties with so small particles.

Extremely low maintenance.

Absolent units usually run for up to 6 years without cassette change. This results in a low total cost of ownership.

A very reliable filter unit.

The fan, as the only moving component, is placed at the clean-side to minimize wear & tear.



Operation

The filtering process occurs in three stages. The first and second stages consist of self-draining Absolent filter cassettes. Here, a minimum of 95% of the oil mist and smoke is arrested. The third stage consists of a HEPA-filter, which has a guaranteed and consistent collecting efficiency of 99.97% arresting 0.3 micron dia. particles. The filter unit has an electronic pressure gauge, A•monitor, which shows the pressure drop over the different filter stages and indicates when a cassette is to be changed. Thanks to the continuous draining of the cassettes, the unit can be operated without interruptions. The return oil is collected at the bottom of the filter for recycling.

Range of Application

The Absolent A•smoke^T unit is well suited for use in applications such as:

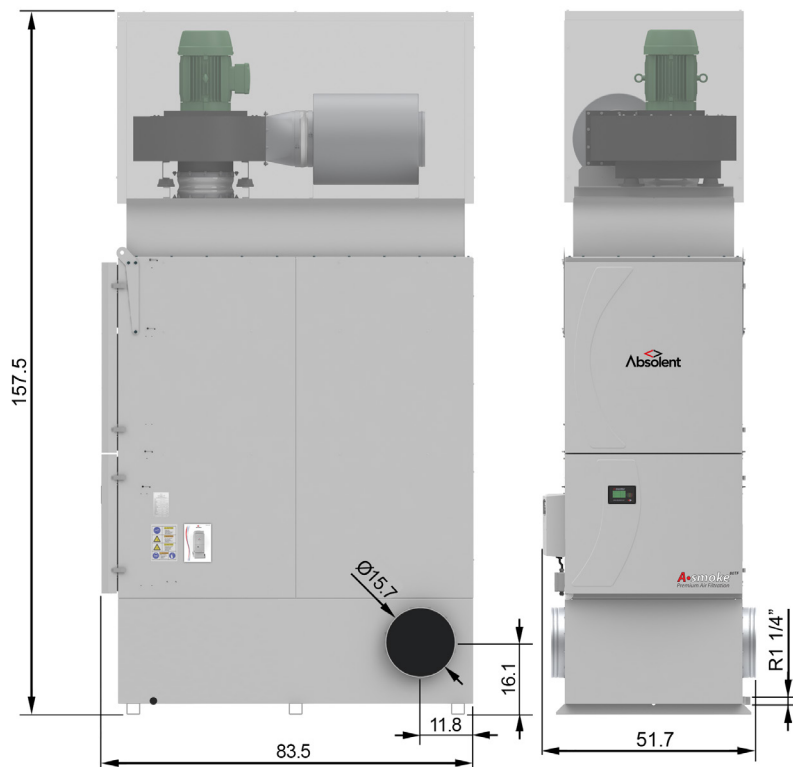
- Heat treatment
- Cold-drawing
- Gear cutting
- Grinding with neat oil
- CNC turning with neat oil
- Forging operations and cold pressing

Design

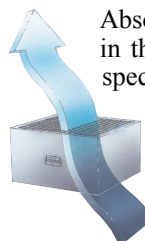
The A•smoke^T central units contain an electronic manometer, which shows the filter unit's time of operation as well as the state of the filter cassettes. The unit has spacious doors for safe and easy service.



2 A•smoke^{80TF} units with joint A•monitor

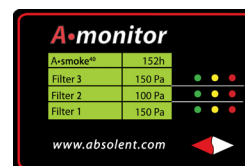


Unique filter cassettes



Absolent is one of few companies in this line of business that has specialized in the filtration of air containing wet particles. This has given us opportunity to develop a filter cassette that offers a long useful life with consistently high collecting efficiency.

Electronic manometer



- Pressure drop and operation hour meters
- Optical indication of filter alarm (LED).
- Digital output signal for remote supervision.

Technical Data		A•smoke ^{80TF} (11 kW motor)	A•smoke ^{80TF} (15 kW motor)
Max. permissible air volume	[cfm]	4700	4700
Sound level, 3m in front of unit ¹⁾	[dB(A)]	73 ¹⁾	74 ¹⁾
Weight with clean filter cassettes (dirty filter cassettes)	[lb]	3197 (3748)	3197 (3748)
Available dim. ext. pressure drop	[in WC]	2.0	7.6
Filter area stage 1 (Absolent filter)	[ft ²]	517	517
Filter area stage 2 (Absolent filter)	[ft ²]	549	549
Filter area stage 3 (HEPA-filter)	[ft ²]	1214	1214
Rec. Inlet duct	[in]	ø 15.7	ø 15.7
Rec. Outlet duct	[in]	ø 19.7	ø 19.7

¹⁾ Sound absorption in premises=2153ft², Hemispherical sound propagation. For sound calculation concerning a specific room, contact us at Absolent or any of our dealers.

Standard Equipment

- RAL 7035 fine structure
Other colours on request!
- Electronic manometer for reading the pressure drop across the filter
- Integrated fan unit
- Lifting lugs

Accessories

- Automatic starter
- Pump unit for drained liquid
- Control of pump equipment
- Frequency control of the fan with constant pressure control
- Duct connections for various types of steel or plastic ductwork available on the market
- Filter sledge for easier change of filter cassettes
- Special colour

Ongoing product development may subject our specifications to alteration without notice.

Absolent Inc.
8601 Six Forks Road, Suite 400
Raleigh, NC 27615
USA
Phone: +1 (919) 882 2075
Fax: +1 (919) 882 2087
E-mail: info@absolent.com
Sweden • USA • China



www.absolent.com

Dealer: